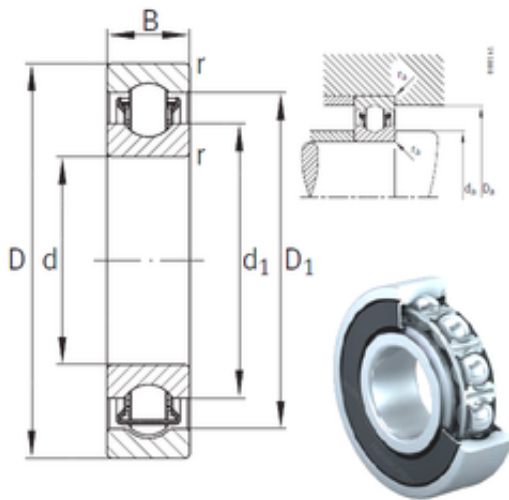




KOYO MANUFACTURING (THAILAND)CO.,LTD.



25 mm x 62 mm x 17 mm INA BXRE305-2HRS
needle roller bearings

Bearing No. BXRE305-2HRS

BXRE305-2HRS Bearing 2D drawings and 3D CAD models

| | |
|-------------------------------|-------------|
| Size | 25x62x17 mm |
| Bore Diameter | 25 mm |
| Outer Diameter | 62 mm |
| Width | 17 mm |
| d | 25 mm |
| D | 62 mm |
| B | 17 mm |
| C | 17 mm |
| d1 | 37,9 mm |
| r min. | 1,1 mm |
| D1 | 50,7 mm |
| da min. | 32 mm |
| Da max. | 55 mm |
| ra max. | 1 mm |
| Weight | 0,253 Kg |
| Basic dynamic load rating (C) | 30,5 kN |
| Basic static load rating (C0) | 18,5 kN |
| Fatigue load limit (Pu) | 940 |