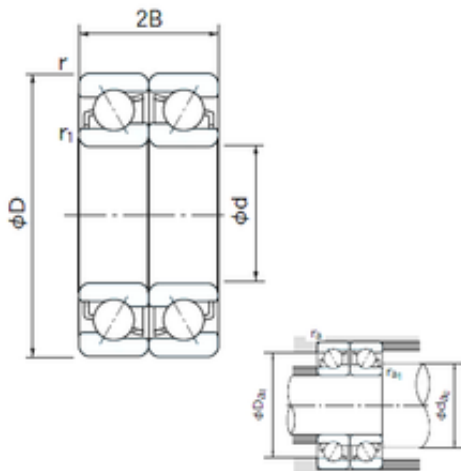




KOYO MANUFACTURING (THAILAND)CO.,LTD.



7205CDF Bearing 2D drawings and 3D CAD models

25 mm x 52 mm x 15 mm NACHI 7205CDF
angular contact ball bearings

Bearing No. 7205CDF

Size	25x52x15 mm
Bore Diameter	25 mm
Outer Diameter	52 mm
Width	15 mm
d	25 mm
D	52 mm
B	15 mm
C	15 mm
Angle (°)	15 °
a -	3.1 mm
r min.	1 mm
r1 min.	0.6 mm
2B	30 mm
da min.	31 mm
Da max.	48.4 mm
ra max.	0.6 mm
Weight	0.135 Kg
Basic dynamic load rating (C)	27,1 kN
Basic static load rating (C0)	20,7 kN
(Grease) Lubrication Speed	17000 r/min
Bore Type	Cylindrical Bore
Enclosure	Open
Configuration	Duplex
Bore Size	25 mm
Outside Diameter	52 mm



KOYO MANUFACTURING (THAILAND)CO.,LTD.

Width	15 mm
Fillet Radius/Chamfer	1 mm
r1	0.6 mm
Dynamic Load Rating	27,100 N
Static Load Rating	20,700 N
Limiting Speed - Grease	17,000 rpm
Limiting Speed - Oil	23,000 rpm
da1 (min)	31 mm
da2 (min)	31 mm
Da1 (max)	46 mm
Da2 (max)	48.4 mm
ra (max)	1 mm
ra1 (max)	0.6 mm