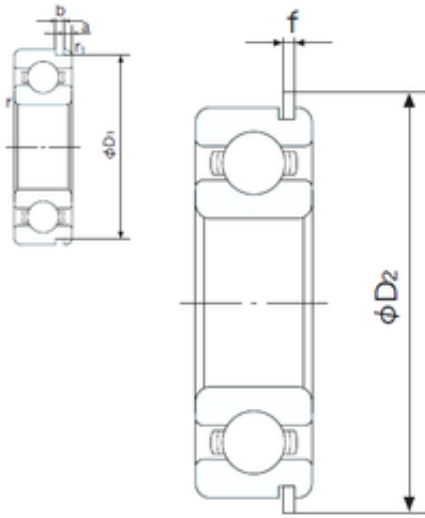




# KOYO MANUFACTURING (THAILAND)CO.,LTD.



6021NR Bearing 2D drawings and 3D CAD models

105 mm x 160 mm x 26 mm NACHI 6021NR  
deep groove ball bearings

Bearing No. 6021NR

Size	105x160x26 mm
Bore Diameter	105 mm
Outer Diameter	160 mm
Width	26 mm
d	105 mm
D	160 mm
B	26 mm
C	26 mm
a	3.71 mm
b	3.1 mm
f	2.82 mm
r min.	2 mm
r1 min.	0.5 mm
D1	155.22 mm
D2	169.7 mm
Weight	1.54 Kg
Basic dynamic load rating (C)	72,5 kN
Basic static load rating (C0)	65,5 kN
(Grease) Lubrication Speed	4000 r/min
Bore Type	Cylindrical Bore
Configuration	Single Row
Enclosure	Snap Ring Groove with Snap Ring
Bore Size	105 mm
Outside Diameter	160 mm



## KOYO MANUFACTURING (THAILAND)CO.,LTD.

Width	26 mm
Fillet Radius/Chamfer	2 mm
r1	0.5 mm
Snap Ring Width	2.8 mm
Snap Ring Outside Diameter	169.7 mm
D1 (max)	155.2 mm
a (max)	3.7 mm
b (min)	3.1 mm
Dynamic Load Rating	72,500 N
Static Load Rating	65,500 N
Limiting Speed - Grease	4,000 rpm
Limiting Speed - Oil	4,800 rpm
Factor fo	15.8
Radial Clearance	0.015 to 0.041 mm
da (min)	113 mm
Da (max)	152 mm
Dx (min)	172 mm
ra (max)	2 mm
Cy (max)	6.1 mm