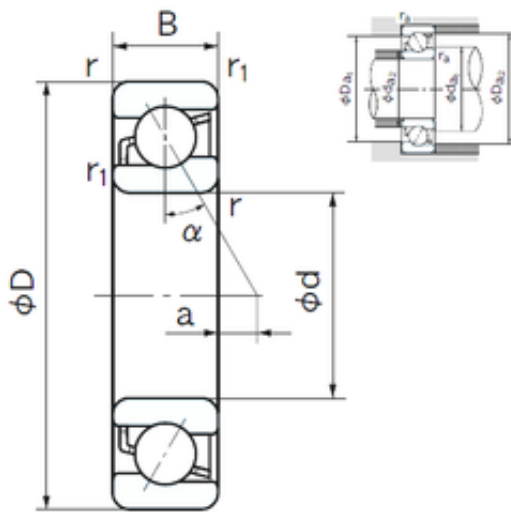




KOYO MANUFACTURING (THAILAND)CO.,LTD.



7021C Bearing 2D drawings and 3D CAD models

105 mm x 160 mm x 26 mm NACHI 7021C angular contact ball bearings

Bearing No. 7021C

Size	105x160x26 mm
Bore Diameter	105 mm
Outer Diameter	160 mm
Width	26 mm
d	105 mm
D	160 mm
B	26 mm
C	26 mm
Angle (°)	15 °
a	2.3 mm
r min.	2 mm
r1 min.	1 mm
da min.	113 mm
Da max.	152 mm
ra max.	2 mm
Weight	1.73 Kg
Basic dynamic load rating (C)	97 kN
Basic static load rating (C0)	97,5 kN
(Grease) Lubrication Speed	6000 r/min
Configuration	Single Row
Enclosure	Open
Bore Type	Cylindrical Bore
Bore Size	105 mm
Outside Diameter	160 mm
Width	26 mm



KOYO MANUFACTURING (THAILAND)CO.,LTD.

Fillet Radius/Chamfer	2 mm
r1	1 mm
Dynamic Load Rating	97,000 N
Static Load Rating	97,500 N
Limiting Speed - Grease	6,000 rpm
Limiting Speed - Oil	8,300 rpm
da1 (min)	113 mm
da2 (min)	113 mm
Da1 (max)	152 mm
Da2 (max)	155 mm
ra (max)	2 mm
ra1 (max)	1 mm