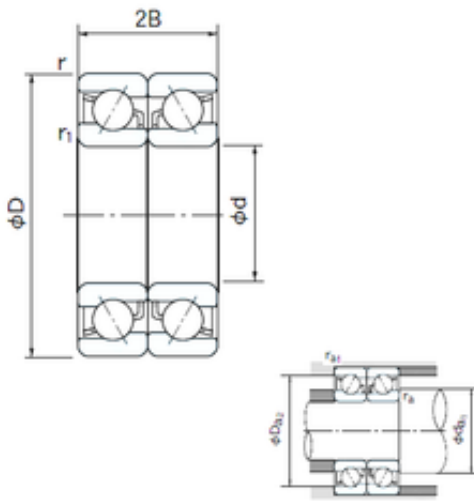




KOYO MANUFACTURING (THAILAND)CO.,LTD.



7021CDB Bearing 2D drawings and 3D CAD models

105 mm x 160 mm x 26 mm NACHI 7021CDB angular contact ball bearings

Bearing No. 7021CDB

Size	105x160x26 mm
Bore Diameter	105 mm
Outer Diameter	160 mm
Width	26 mm
d	105 mm
D	160 mm
B	26 mm
C	26 mm
Angle (°)	15 °
a	2.3 mm
r min.	2 mm
r1 min.	1 mm
2B	52 mm
da min.	113 mm
Da max.	155 mm
ra max.	1 mm
Weight	1.73 Kg
Basic dynamic load rating (C)	158 kN
Basic static load rating (C0)	195 kN
(Grease) Lubrication Speed	4800 r/min
Bore Type	Cylindrical Bore
Enclosure	Open
Configuration	Duplex
Bore Size	105 mm
Outside Diameter	160 mm



KOYO MANUFACTURING (THAILAND)CO.,LTD.

Width	26 mm
Fillet Radius/Chamfer	2 mm
r1	1 mm
Dynamic Load Rating	158,000 N
Static Load Rating	195,000 N
Limiting Speed - Grease	4,800 rpm
Limiting Speed - Oil	6,600 rpm
da1 (min)	113 mm
da2 (min)	113 mm
Da1 (max)	152 mm
Da2 (max)	155 mm
ra (max)	2 mm
ra1 (max)	1 mm